

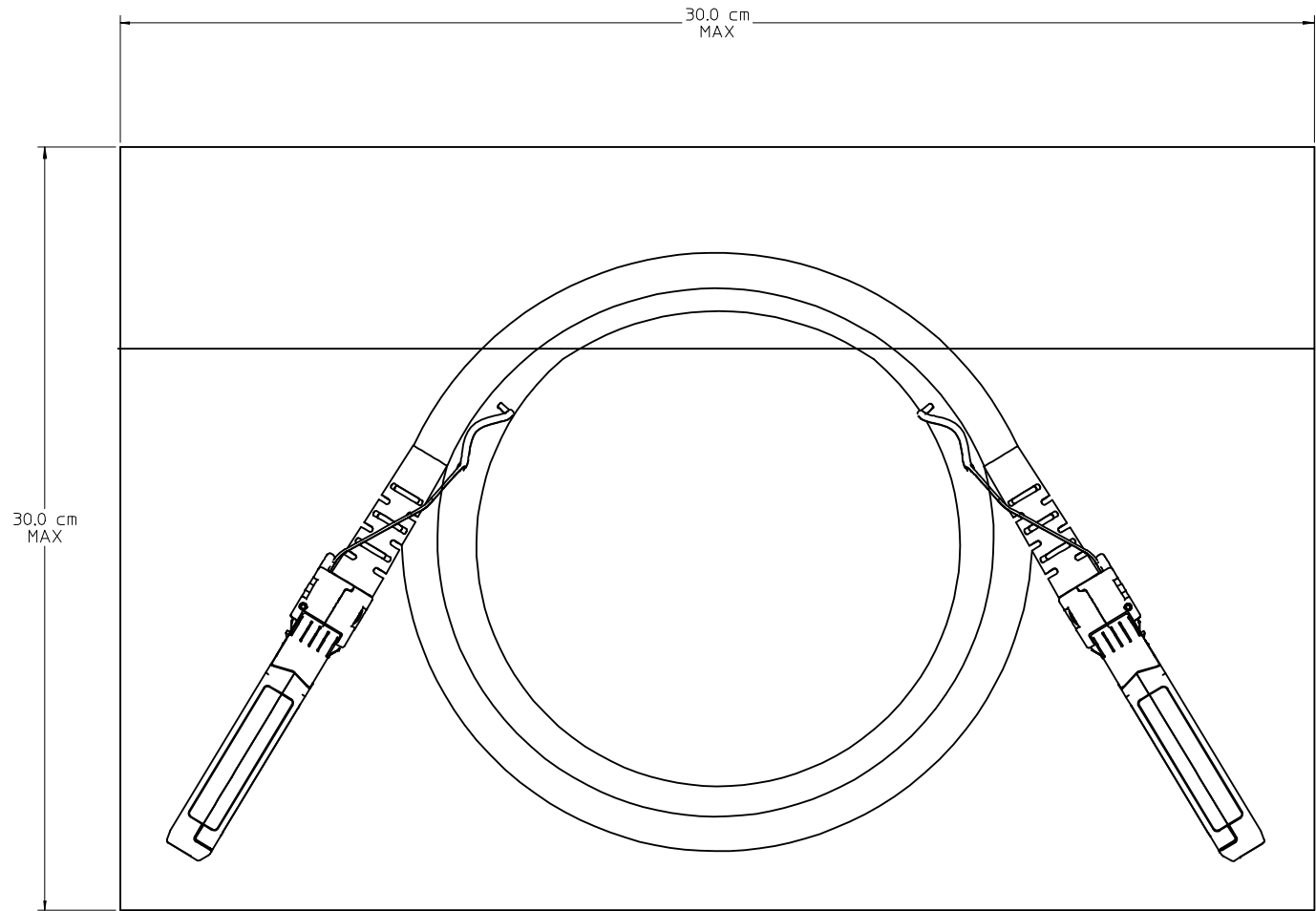
WIRING DIAGRAM			
P1 END		P2 END	
PAD	SIGNAL	PAD	SIGNAL
12	RD-	19	TD-
13	RD+	18	TD+
18	TD+	13	RD+
19	TD-	12	RD-

- NOTES:
- MATERIALS**  
 BACKSHELLS - NICKEL PLATED ZINC  
 DE-LATCH - NYLON  
 PCB - FR-4  
 RIVETS - STAINLESS STEEL
  - IMPEDANCE - 100 OHMS DIFFERENTIAL- PASSIVE
  - PULL TO RELEASE, PLUNGER STYLE LATCH
  - EACH ASSEMBLY HAS A SERIAL ID
  - SEE MOLEX DRAWINGS SD-71153-7\*\*\* FOR CABLE DETAILS
  - 11.09 Gbps BACKWARDS COMPATIBLE TO 1.0625 Gbps
  - THIS PRODUCT MEETS THE RESTRICTION OF HAZARDOUS SUBSTANCES IN ELECTRICAL AND ELECTRONIC EQUIPMENT (RoHS) DIRECTIVE (2002/95/EC)
  - LABEL DETAIL:  
 P/N: 74752-XXXX  
 SERIAL NUMBER:  
 LENGTH - AWG

CUSTOM LENGTHS AVAILABLE.  
 LONGER LENGTH APPLICATIONS REQUIRE  
 HOST SYSTEM PREEMPHASIS AND  
 EQUALIZATION.  
 SEE DATASHEET FOR MORE INFORMATION.

<b>ENTER DESCRIPTION</b> EC NO: USY2009-0091 DRW:KLLLOYD 2008/09/04 CHKD: 2008/09/04 APPR:KLLLOYD 2008/09/04	QUALITY SYMBOLS ▽=0 ▽=0	GENERAL TOLERANCES (UNLESS SPECIFIED) <table border="1"> <tr> <th></th> <th>mm</th> <th>INCH</th> </tr> <tr> <td>4 PLACES</td> <td>± ---</td> <td>± ---</td> </tr> <tr> <td>3 PLACES</td> <td>± ---</td> <td>± ---</td> </tr> <tr> <td>2 PLACES</td> <td>± ---</td> <td>± ---</td> </tr> <tr> <td>1 PLACE</td> <td>± ---</td> <td>± ---</td> </tr> </table> ANGULAR ± ---°		mm	INCH	4 PLACES	± ---	± ---	3 PLACES	± ---	± ---	2 PLACES	± ---	± ---	1 PLACE	± ---	± ---	DIMENSION STYLE <b>MM ONLY</b> DRAWN BY DATE JERWIN 2007/01/30 CHECKED BY DATE KLLLOYD 2007/01/30 APPROVED BY DATE RMAHMOOD 2007/01/30	SCALE <b>1.5:1</b> DESIGN UNITS <b>METRIC</b> THIRD ANGLE PROJECTION	TITLE <b>SFP+ PASSIVE CABLE ASSEMBLY</b>
		mm	INCH																	
	4 PLACES	± ---	± ---																	
	3 PLACES	± ---	± ---																	
2 PLACES	± ---	± ---																		
1 PLACE	± ---	± ---																		
DRAFT WHERE APPLICABLE MUST REMAIN WITHIN DIMENSIONS	MATERIAL NO. <b>SEE CHART</b>	MOLEX INCORPORATED DOCUMENT NO. <b>SD-74752-001</b>	SHEET NO. <b>1 OF 2</b>																	
THIS DRAWING CONTAINS INFORMATION THAT IS PROPRIETARY TO MOLEX INCORPORATED AND SHOULD NOT BE USED WITHOUT WRITTEN PERMISSION																				

PART NUMBER	LENGTH	AWG
74752-0010	0.3M ±0.03M	32
74752-0011	0.5M ±0.03M	32
74752-0012	1M ±0.05M	32
74752-0013	2M ±0.05M	32
74752-0014	3M ±0.05M	32
74752-0015	4M ±0.05M	32
74752-0016	5M ±0.08M	32
74752-1031	0.3M ±0.03M	30
74752-1051	0.5M ±0.03M	30
74752-1101	1M ±0.05M	30
74752-1151	1.5M ±0.05M	30
74752-1201	2M ±0.05M	30
74752-1301	3M ±0.05M	30
74752-1501	5M ±0.08M	30
74752-1701	7M ±0.08M	30
74752-1801	8M ±0.08M	30
74752-1901	9M ±0.08M	30
74752-9001	10M ±0.08M	30
74752-9009	15M ±0.08M	30
74752-2031	0.3M ±0.03M	28
74752-2051	0.5M ±0.03M	28
74752-2101	1M ±0.05M	28
74752-2151	1.5M ±0.05M	28
74752-2201	2M ±0.05M	28
74752-2301	3M ±0.05M	28
74752-2501	5M ±0.08M	28
74752-2701	7M ±0.08M	28
74752-2901	9M ±0.08M	28
74752-9002	10M ±0.08M	28
74752-9010	15M ±0.08M	28
74752-9011	20M ±0.08M	28
74752-3051	0.5M ±0.03M	26
74752-3061	0.6M ±0.03M	26
74752-3101	1M ±0.05M	26
74752-3201	2M ±0.05M	26
74752-3301	3M ±0.05M	26
74752-3501	5M ±0.08M	26
74752-3701	7M ±0.08M	26
74752-3901	9M ±0.08M	26
74752-9003	10M ±0.08M	26
74752-4051	0.5M ±0.03M	24
74752-4101	1M ±0.05M	24
74752-4201	2M ±0.05M	24
74752-4301	3M ±0.05M	24
74752-4401	4M ±0.05M	24
74752-4501	5M ±0.08M	24
74752-4601	6M ±0.08M	24
74752-4701	7M ±0.08M	24
74752-4801	8M ±0.08M	24
74752-4901	9M ±0.08M	24
74752-9004	10M ±0.08M	24
74752-9013	11M ±0.08M	24
74752-9008	12M ±0.08M	24
74752-9015	13M ±0.08M	24
74752-9016	14M ±0.08M	24
74752-9007	15M ±0.08M	24
74752-9012	20M ±0.08M	24



CABLE SHOWN ABOVE, COILED IN ESD BAG

<b>ENTER DESCRIPTION</b> EC NO: USY2009-0091 DRW: KLOYD 2008/09/04 CHKD: 2008/09/04 APPR: KLOYD 2008/09/04	<b>QUALITY SYMBOLS</b> ▽=0 ▽=0	<b>GENERAL TOLERANCES (UNLESS SPECIFIED)</b>		<b>DIMENSION STYLE</b> <b>MM ONLY</b>	<b>SCALE</b> 1:1	<b>DESIGN UNITS</b> METRIC	THIRD ANGLE PROJECTION		
		4 PLACES ±--- 3 PLACES ±--- 2 PLACES ±--- 1 PLACE ±---	mm INCH	DRAWN BY JERWIN	DATE 2007/01/30	<b>TITLE</b> SFP+ PASSIVE CABLE ASSEMBLY			
		ANGULAR ±---°	APPROVED BY RMAHMOOD	DATE 2007/01/30	<b>MOLEX INCORPORATED</b>				
		DRAFT WHERE APPLICABLE MUST REMAIN WITHIN DIMENSIONS	MATERIAL NO. <b>SEE CHART</b>	DOCUMENT NO. SD-74752-001	SHEET NO. 2 OF 2	THIS DRAWING CONTAINS INFORMATION THAT IS PROPRIETARY TO MOLEX INCORPORATED AND SHOULD NOT BE USED WITHOUT WRITTEN PERMISSION			